

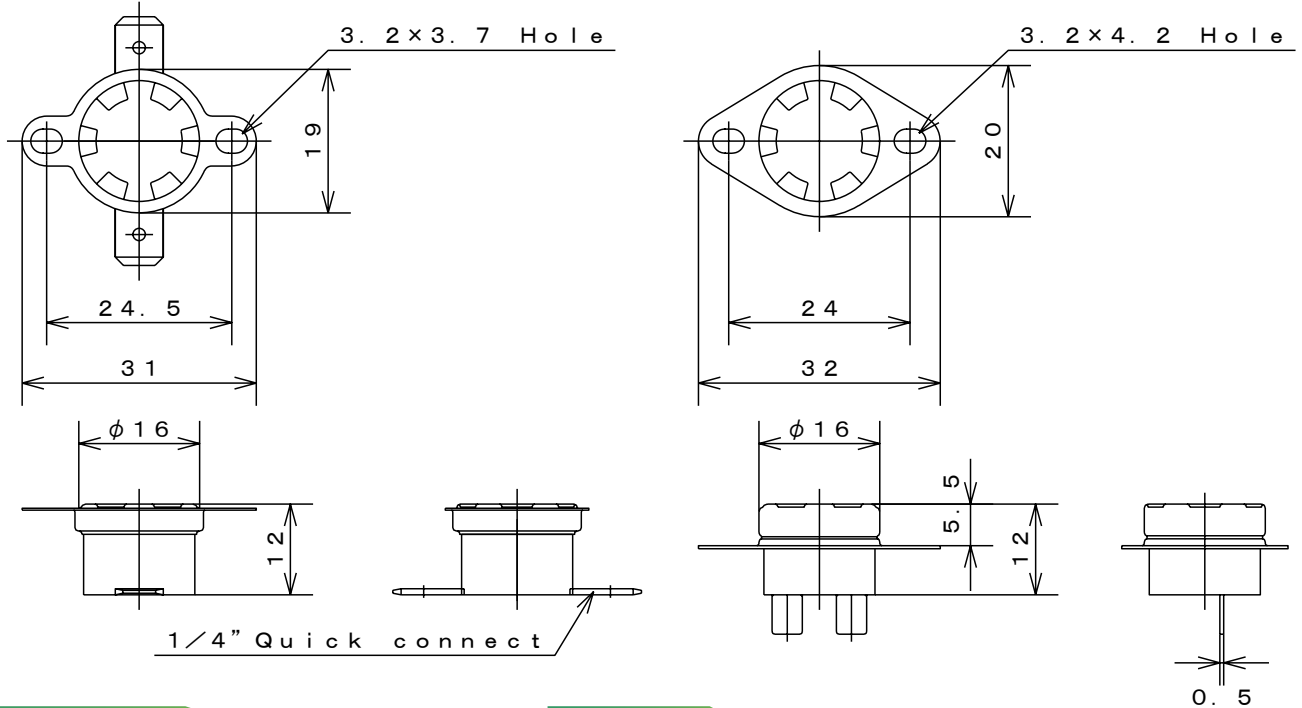


1/2" Disc Type Thermostat
High Temp. Type

Type **55H**

VDE
Recognized

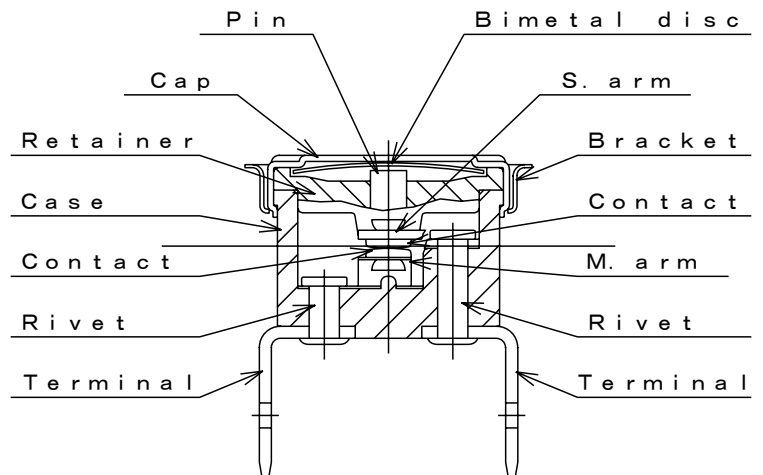
Dimensions



Materials of parts

Part	Material
Cap	Aluminum Copper Stainless steel
Case	Ceramic
M.arm	Nickel alloy
Terminals	Steel #250 Tab, Weld
Bracket	Stainless steel
Contacts	Silver

Structure



Specification

Item	Specification
1. Basic features	SPST Automatic reset
2. Operation	A : Contacts open on temperature rise B : Contacts close on temperature rise
3. Electrical rating	AC250V/7A
4. Calibration method	Hot & cold air circulation system
5. Temperature rating	Operating temperature Max. 260°C
6. Insulation resistance	Not less than 1,000MΩ/DC500V
7. Dielectric strength	Not less than AC1,500V/1min. or AC1,800V/1sec.

Standard

DIN EN 60730-1, -2-9 VDE Licence No. 100896, 40004992